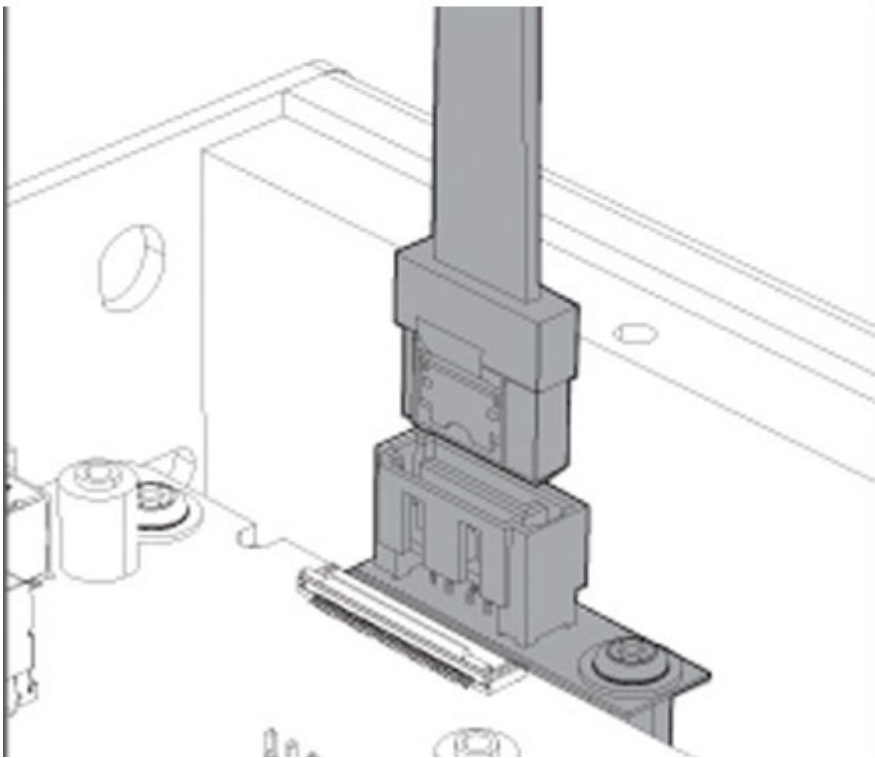
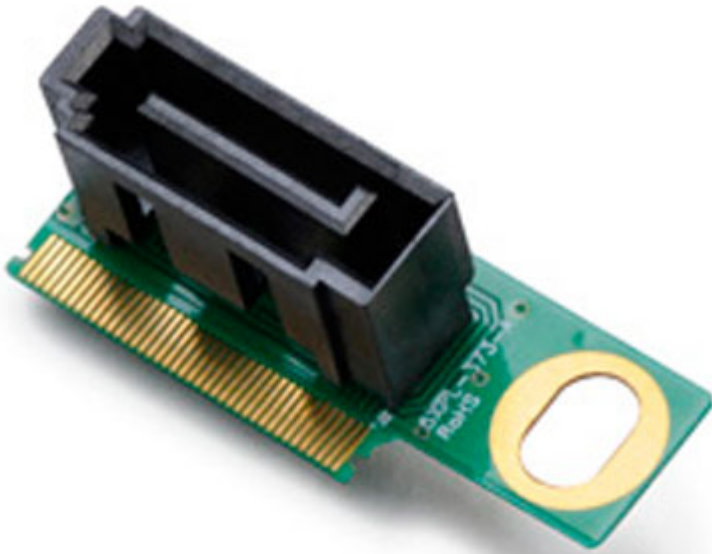


9.95 EUR
incl. 19% VAT, plus [shipping](#)



High speed custom solution SATA adapter is used to connect SATA device to high speed custom solution header. Compatible with Intel NUC5i5MYBE / NUC5i5MYHE / NUC5i3MYBE / NUC5i3MYHE.